

# POS



## POS-3520

### The One-of-a-kind Highly Integrated 15" POS Terminal

#### Features and Benefits:

- Intel® Atom™ Pineview D525 CPU
- 15" LCD display with touch
- Flexible design for versatile applications
- Optional 2"/ 3" easy loading thermal printer
- Optional MSR, i-Button & fingerprint module
- High speed DDR3 Module
- Small footprint
- Streamline design



#### Protech Systems Co., Ltd.

No. 24, Lane 365, Yang Goang Street, Nei Hu District Taipei 114, Taiwan  
TEL: +886-2-8751-1111 FAX: +886-2-8751-1199  
E-mail: [sales@protech.com.tw](mailto:sales@protech.com.tw)  
<http://www.protech.com.tw>

#### Protech Technologies Inc.

950 Fee Ana St, Suite B Placentia, CA 92870  
TEL: +1-714- 996-7200 FAX: +1-714- 996-7300  
Sales: [sales@protech-usa.net](mailto:sales@protech-usa.net)  
<http://www.protech-usa.net>

#### Protech Japan Co., Ltd.

OSK Bldg, 6F, 6-25-14, Minami-ohi Shinagawa-ku, Tokyo, 140-0013  
TEL: +81-3-5753-8411 FAX: +81-3-3763-9282  
E-mail: [sam@protech-j.com](mailto:sam@protech-j.com)  
<http://www.protech-j.com>



ISO CERTIFIED  
9001 14001



MSR. i-Button

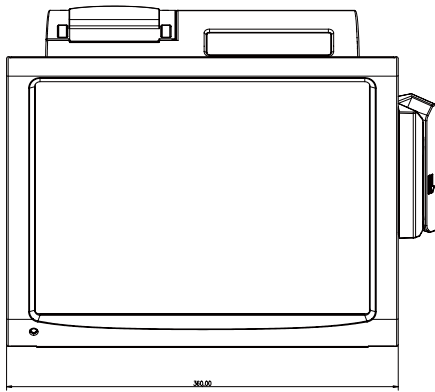


Fingerprint

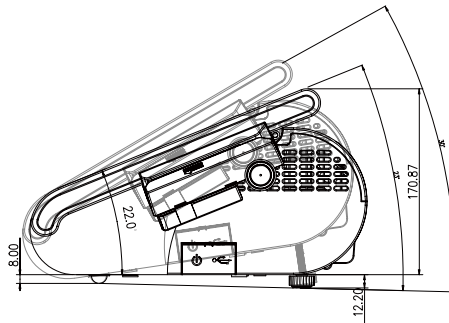
# POS-3520

## The One-of-a-kind Highly Integrated 15" POS Terminal

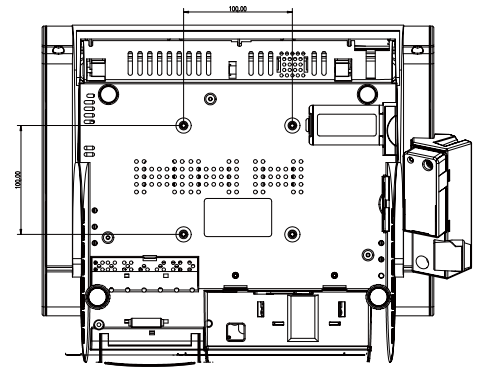
### Top View



### Side View



### Rear View



Unit: mm

### Specification

System	
<b>CPU Support</b>	Intel® Atom™ Pineview D525
<b>Memory</b>	2 x DDR3 SO-DIMM Slot, 1G DDR3 SO-DIMM (up to 4GB)
<b>Core Logic</b>	Intel® ICH8M
<b>Network</b>	10/100/1000 Base-T Fast Ethernet
<b>Power Supply</b>	72Watt ~ 120Watt power adapter
<b>System Weight</b>	5.7 kg
<b>Dimension (W x H x D)</b>	356 x 309 x 167 mm (14.02" x 12.17" x 6.57")
<b>O.S. Support</b>	WINXP, POSReady2009, WEPOS, WES2009, WIN7, POSReady7

### Storage

<b>HDD</b>	1 x 2.5" SATA HDD
<b>CF</b>	Bootable Compact Flash slot for CF type I/II storages

### I/O Ports

<b>USB</b>	5 x USB ports
<b>Serial Ports</b>	3 x DB-9 & 1 x RJ45, +5V/ 12V selectable
<b>PS/2</b>	1 x PS/2 ports (default at keyboard)
<b>LAN</b>	1 x 10/100/1000 Mbps
<b>VGA</b>	1 x DB-15 VGA interface
<b>Audio</b>	1 x 2W speaker

<b>Cash Drawer</b>	1 x RJ11 Cash Drawer port (12V/24V)
<b>Printer</b>	2" or 3" easy loading thermal printer with auto cutter

### Display

<b>LCD</b>	15" TFT LCD
<b>Max. Resolution</b>	1024 x 768
<b>Brightness</b>	250 cd/m <sup>2</sup>
<b>Touch Screen</b>	5-wire Analog resistive

### Environment

<b>EMC &amp; Safety</b>	CE / FCC
<b>Operating Temp.</b>	0 ~ 35° C
<b>Storage Temp.</b>	-20 ~ 60° C
<b>Humidity</b>	20 ~ 90%

### Ordering Information

<b>PA-3151RA-A0B</b>	15" POS Terminal with Intel® Atom™ D525 CPU
<b>PA-3100RZ-51B</b>	2 lines, each column is 5 x 7 dots
<b>PA-3151RZ-51B</b>	MSR ID TECH Module(PS/2 KB interface)
<b>PA-3100RZ-81A</b>	Mini PCIe Wireless LAN Module 802.11 b/g
<b>PA-3151RZ-54B</b>	Optional Fingerprint module (USB interface)
<b>Color</b>	Black, white
<b>OS</b>	WINXP, POSReady2009, WEPOS, WES2009, WIN7, POSReady7

All of trademarks and brand names are the property of their owners. Trademark "Protech" is the property of Protech Systems Co., Ltd. All information contained in this document is subject to change without any prior notice. This catalog is copyrighted in May 2012.